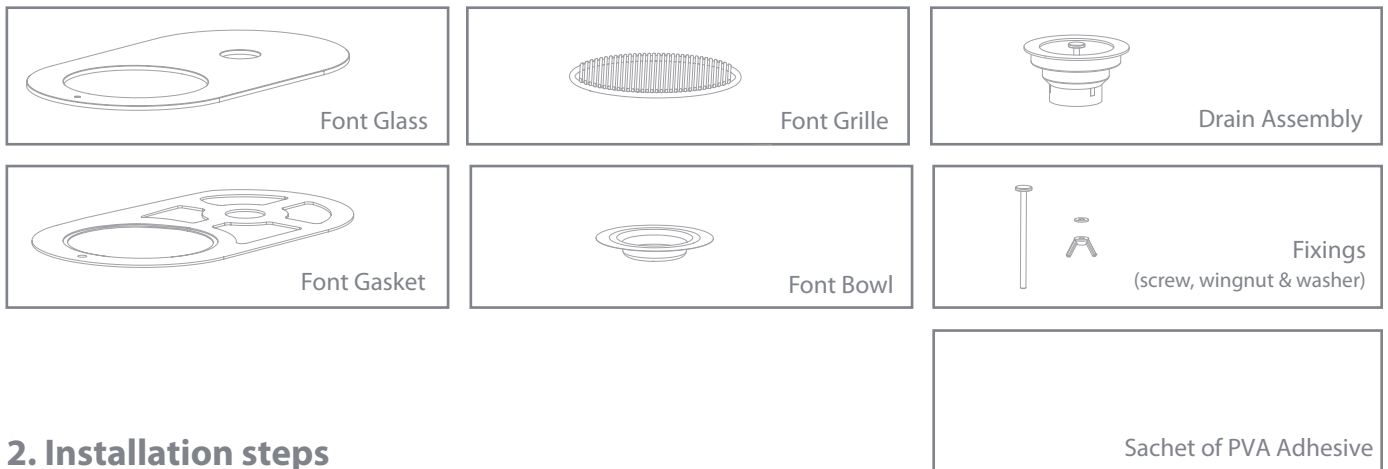


## Installation Guide

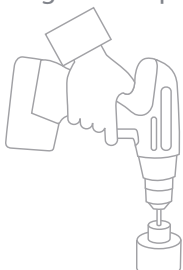
# Zen Font with Drain

### 1. Contents

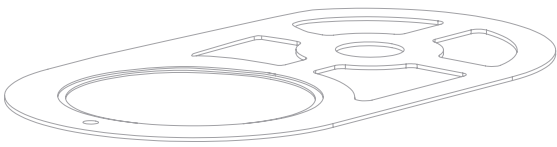


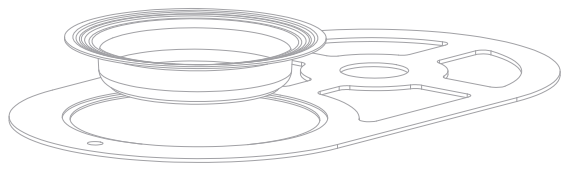
### 2. Installation steps

- 1** Position the template provided on to the worktop. Ensure that any hoses / wires from the tap will reach the units installed under the sink.
- 2** Drill holes using the template provided.

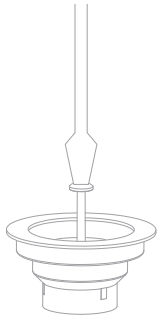


For a wooden/ mdf/ laminate surface - Treat the large hole cut with a coating of PVA adhesive (provided) to help seal against moisture ingress.
- 3** Lay the Font Gasket in place on the worktop and confirm it is the correct way up.

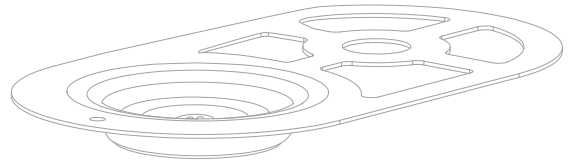

- 4** Sit the Font Bowl in the largest hole.



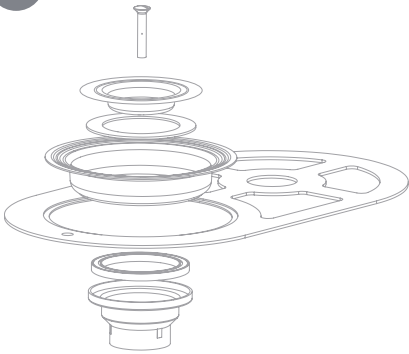
**5** Remove the centre bolt.



**6** Sit the metal section of the drain assembly and foam washer in the Font Bowl.

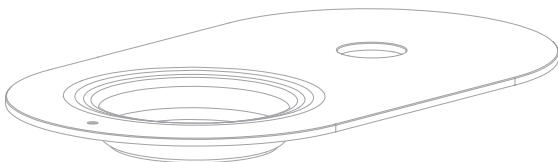


**7** Fit the plastic drain section and thick black washer to the underside of the worktop and secure in place by replacing the centre bolt.



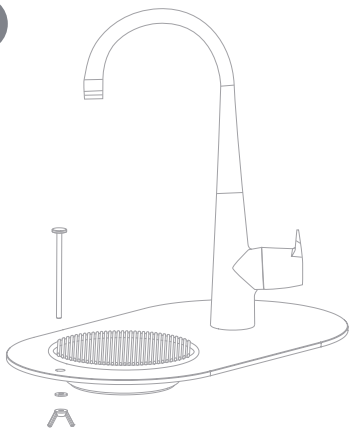
**8** Connect the plastic drain section to your existing waste / drain (standard sink trap size 38mm) using appropriate fittings (not supplied).

**9** Gently place the glass on the top of the Font Gasket and Bowl ensuring there is no debris underneath and the glass is flat.



**10** Install your tap following separate instructions supplied with the tap.

**11** Secure the glass in place using the long screw, o ring, wingnut and washer provided. Do not over tighten.



**12** Run a bead of silicone sealant around the edge of the glass to seal.

