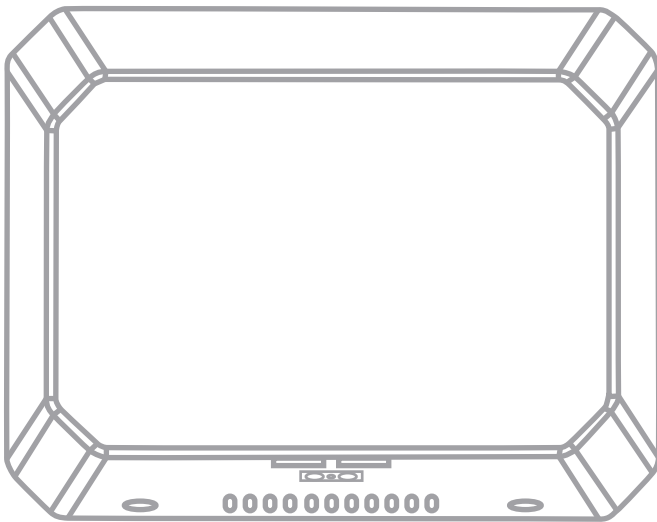




Product Instruction Manual

Jetstream Slimline



JETS10W

1.0 kW automatic hand dryer

Thank you for purchasing the Hycos Jetstream Slimline hand dryer. The JETS10W is an energy efficient hand dryer suitable for many public washroom applications including restaurants, shops and shopping centres, office buildings, pubs, motorway services, factories and supermarkets. The slimline profile makes this hand dryer particularly suitable for restricted space applications such as portable buildings. Please read and understand these instructions before commencing installation, and leave them with the user when installation is complete.

1. Important safety points

- The Electrical installation must be carried out by a qualified electrician in accordance with the current edition of the I.E.E. Wiring Regulations.
- This appliance must be earthed.
- Means for electrical disconnection must be incorporated in the fixed wiring in accordance with the wiring rules.
- Only connect the hand dryer to a single phase supply with a mains voltage as specified on the rating plate.
- The hand dryer must be fixed out of reach of a person taking a bath or shower.
- This appliance can be used by children aged from 8 years and above and persons with reduced physical, sensory or mental capabilities or lack of experience and knowledge if they have been given supervision or instruction concerning use of the appliance in a safe way and understand the hazards involved. Children shall not play with the appliance. Cleaning and user maintenance shall not be made by children without supervision.
- Do not cover the air inlet or outlet.

2. Installation

Wall Mounting



The hand dryer must be fixed out of reach of a person taking a bath or shower.

- Place the supplied template against the wall at the desired height (see mounting height recommendations) and mark locations of 4 mounting holes and cable entry at knockout (KO) location.
Note: For 2 or more dryers, dryers should be no closer than 610mm on centre.
- Remove and retain 2 cover screws and front cover.
- Drill 4 holes at locations A, B, C and D of 8mm diameter x 35mm deep.
- Using the fixings supplied, attach the dryer to the wall.

Recommended mounting heights

General use	1219mm
Men	1270mm
Women	1194mm
Children 4-7 years	889mm
Children 8-10 years	991mm
Children 11-13 years	1092mm
Children 14-16 years	1194mm
Disabled	1016mm

Electrical

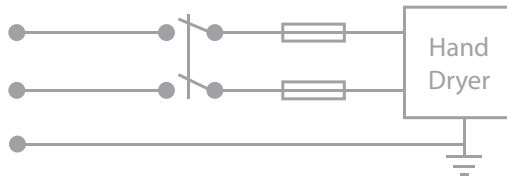


This appliance must be earthed.



Means for electrical disconnection must be incorporated in the fixed wiring in accordance with the wiring rules.

- The power cord should be connected following the colour coding below:
 - Brown: L
 - Blue: N
 - Green / Yellow: E



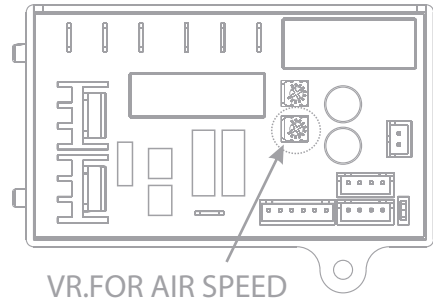
3. Operation

- Shake excess water from hands.
- To activate the hand dryer, place your hands underneath the air outlet to operate the sensor.
- Rub hands together lightly and rapidly.
- The dryer will stop automatically 1 second after removing hands.
- The dryer will also automatically cut-out after 1 minute of consecutive use.
- To re-start the hand dryer, put hands back underneath and re-operate the sensor.

Air speed adjustment

1. switch off the power, loosen the cover screws and remove the cover.

2. Use small Philips head screwdriver or plastic flat blade probe to turn VR shaft. Clock-wise (CW) to increase power to maximum (+) ↻ , turn tool gently (CCW) to reduce power as required (-) ↻ .

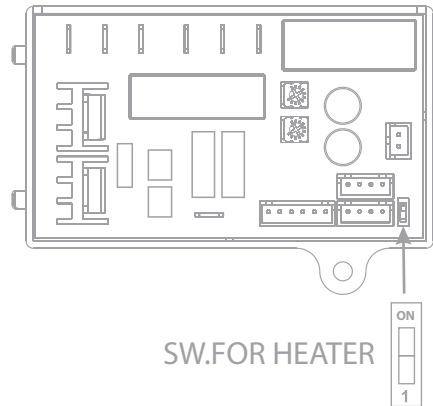


Heater Element Switch on/off

1. switch off the power, loosen the cover screws and remove the cover.

2. Adjust the heater switch on the PCB with a small plastic or wood flat blade probe.

- Slide the switch to 'ON': Enables heater on.
- Slide the switch to '1': Disables heater.



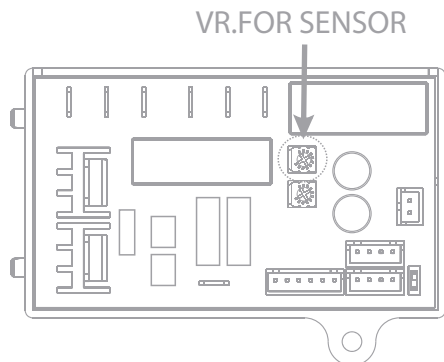
Sensor range adjustment

1. The range is 4" to 10" (100mm to 250mm), standard setting is 6" (170mm + 20mm)

2. Clockwise: Increases the sensing range (+) ↻ .

3. Counterclockwise: Decreases the sensing range (-) ↻ .

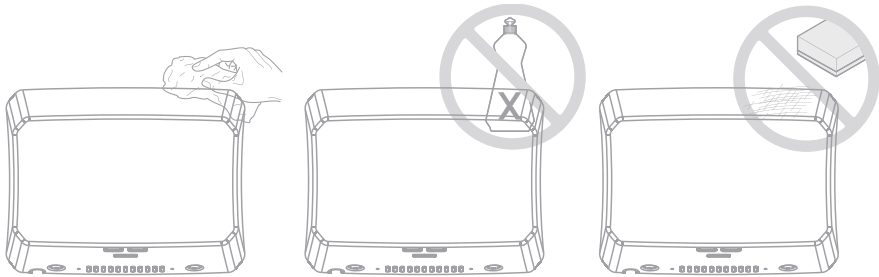
4. DO NOT OVERTURN.



4. Maintenance

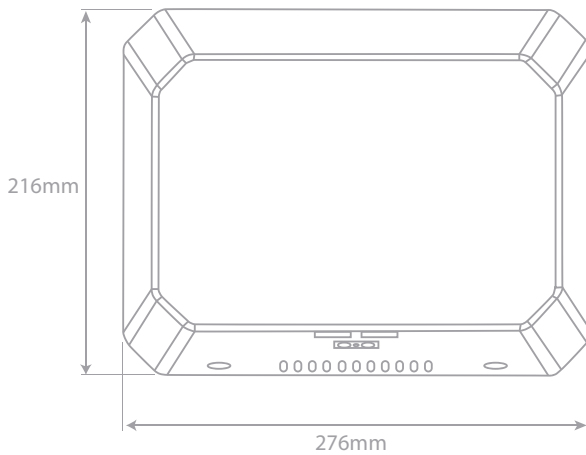
Periodic cleaning of the unit is recommended to ensure optimum performance.

- Disconnect the electrical supply.
- Remove the two cover-mounting screws.
- Remove the cover.
- Clean all dust lint from the interior of the dryer.
- Clean the exterior of the unit using a soft, damp cloth. Do not soak; never use abrasives to clean the cover.
- Replace the cover. Do not overtighten the screws.



5. Specifications

Voltage	230v~50Hz
Power	1.0kW
Air speed (adjustable)	45 - 70m/s
Air volume (adjustable)	71 - 102m ³ /h
Sound level	78dB
IP Rating	IP23
Weight	3.8kg



6. Troubleshooting

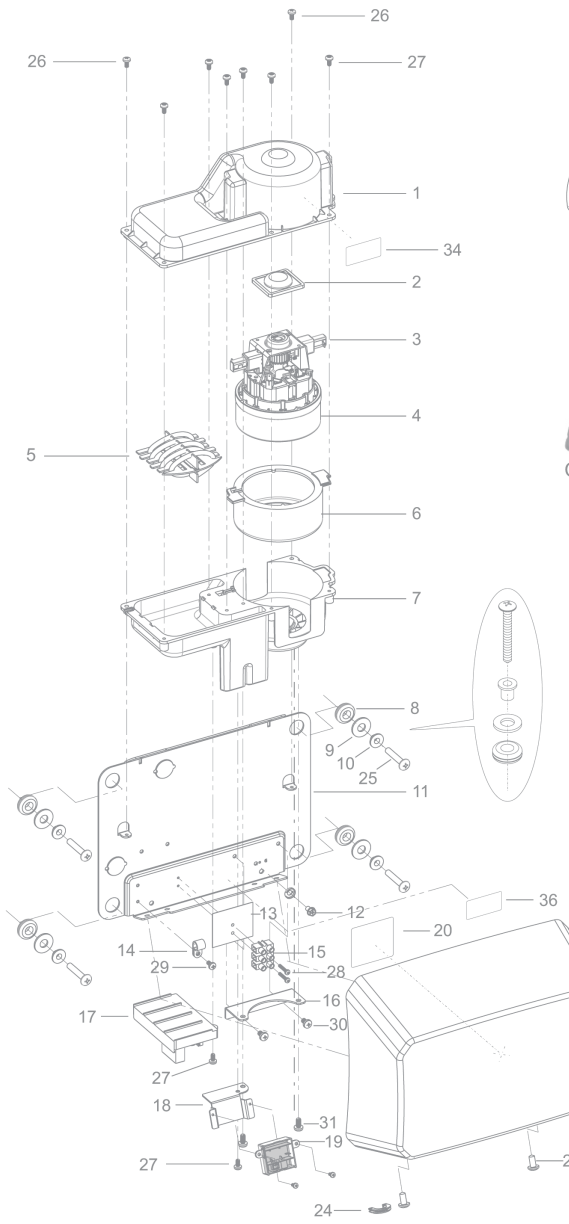
Symptom	Corrective action - Failure on installation
The dryer will not run	Ensure that the breaker supplying the dryer is operational. If it is, disconnect the power and remove the dryer cover. Taking suitable precautions to avoid electric shock, reconnect the power and check for voltage at the terminal block. Verify that connections are made correctly.
The dryer cycles by itself or runs constantly	Ensure that there is no obstruction on or in front of the IR sensor. Clean any dirt or debris off the sensor lens. If problem persists replace sensor.
The dryer makes a loud noise and does not run for a complete cycle	Ensure that the supply voltage is correct as specified on the rating plate. If circuit board has been damaged, replace the circuit board and IR sensor module.
The dryer runs but air stream is low pressure and/or low velocity	Ensure that the supply voltage is correct as specified on the rating plate. The dryer will run weakly if the input voltage is too low.

Symptom	Corrective action - In service failure
The dryer will not run	Ensure that the breaker supplying the dryer is operational. If it is, disconnect the power and remove the dryer cover. Taking suitable precautions to avoid electric shock, reconnect the power and check for voltage at the terminal block. Verify that connections are made correctly.
The IR sensor only “sees” close the range objects	Ensure that there is no obstruction on or in front of IR sensor. Clean any dirt or debris off the sensor lens. Check variable resistor (VR) for sensor range setting. If problem persists replace sensor and/or circuit board module.
The heater gets hot but the dryer is not blowing any air	Disconnect the power and remove dryer cover. Check variable resistor (VR) for speed setting. Disassemble the motor housing. Replace the fan motor. Reassemble.
The dryer only blows cold air during a full cycle	Disconnect the power. Remove the cover and check the heater SW is ON. Disassemble the blower-motor/fan housing. Test the thermostat for open circuit. Check the heater element for signs of burning or breakage. Damaged element must be replaced.
The dryer runs but air stream is low pressure and/ or low velocity	Check the air outlet for obstructions. If none are present, disconnect the power. Remove the dryer cover. Remove any dust/lint build up from the intake vent slots. Check VR for speed setting. Disassemble the motor/fan housing. Check the motor brushes for worn condition and replace them if necessary.

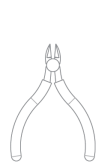
Repair parts list

Key	Description	Qty	Key	Description	Qty
1	Blower housing - Upper	1	25	Self threading screw 1/4"x1-1/2",	4
2	Motor rubber - Upper	1		philips pan head	
3	Motor brushes	2	26	Screw M4x10, philips pan head	2
4	Motor	1	27	Self threading screw M4x10,	8
	0.67HP@120Vac			philips pan head	
	0.67HP@240Vac		28	Screw M3x16,philips pan head	2
5	Heater assembly	1	29	Screw M4x10,philips pan head	1
	500W@120Vac,28.8Ω			with external tooth lock washer	
	500W@240Vac,115.2Ω		30	Screw M5x8,philips pan head	2
6	Motor rubber - Lower	1		with external tooth lock washer	
7	Blower housing - Lower	1	31	Screw M5x10,philips pan head	2
8	Rubber grommet -Base	4	32	Wires Harness (Not Shown)	1
9	Metal washer	4	33	L-Wrench	1
10	Nylon bushing	4	34	CBM terminal legend label	1
11	Base plate	1	35	Rating label	1
12	Grounding screw with cup washer	1		Ecoslender 1	
13	Mylar shield with LNG marked	1		Ecoslender(H) 1	
14	Nylon cable clamp	1		Ecoslender(S) 1	
15	Terminal block	1	36	Caution Branch Circuit label	1
16	Blower mounting bracket	1		15A- 120Vac	
17	Circuit Board Module (CBM)	1		7.5A- 240Vac/ 277Vac	
	110-120Vac				
	208-240Vac				
	277Vac				
18	Sensor bracket	1			
19	Sensor module	1			
20	Label, Circuit Diagram	1			
21	Cover EcoSlender 1	1			
	Cover EcoSlender SA				
	Steel - Epoxy enamel				
	Stainless steel - Bright				
	Stainless steel - Satin	1			
22	CAUTION label	2			
23	Security hex cap head 1/4"-20				
	x 5/8" screw with lock washer	1			
24	Cable protector				

Assembly Diagram



Tools Req'd (Not provided)



Wire cutter



Phillips #1/ #2



Crimp tool



Flat blade

← 3/64" THK(1.1)
← 1/8" DIA(Ø3)

Tools Req'd (Provided in kit)



L-Wrench
Item 33



INFORMATION FOR CORRECT DISPOSAL OF THE PRODUCT IN ACCORDANCE WITH THE EUROPEAN DIRECTIVE 2002/96/E.

At the end of its working life this equipment must not be disposed of as household waste. It must be taken to a local authority waste collection centre or to a dealer providing this service. Disposing of electrical and electronic equipment separately enables its components to be recovered and recycled to obtain significant savings in energy and resources. In order to underline the duty to dispose of this equipment separately, the product is marked with a crossed out dustbin.

7. Guarantee and service policy

This product is guaranteed against faulty materials and manufacture for a period of one year from the date of purchase. Hyco will in its sole discretion replace, repair or refund any faulty unit. Incorrect installation and failure to follow correct operating instructions are excluded. Consequential costs such as labour charges or damage to surroundings are expressly excluded.

Hyco Manufacturing Ltd
Normandy Court
Express Way
Castleford, WF10 5NR

T 01924 225 200
F 01924 225 210
E sales@hyco.co.uk

hyco.co.uk