



Product Instruction Manual

# Hurricane



**HD1800**

1.8 kW automatic hand dryer

Thank you for purchasing the Hyco Hurricane hand dryer. The HD1800 is a traditional high powered hand dryer suitable for a wide number of applications including schools, offices, restaurants and shops. Please read and understand these instructions before commencing installation, and leave them with the user when installation is complete.

## 1. Important safety points



The Electrical installation must be carried out by a qualified electrician in accordance with the current edition of the I.E.E. Wiring Regulations.



This appliance must be earthed.



Means for electrical disconnection must be incorporated in the fixed wiring in accordance with the wiring rules.



Only connect the hand dryer to a single phase supply with a mains voltage as specified on the rating plate.



The hand dryer must be fixed out of reach of a person taking a bath or shower.



This appliance can be used by children aged from 8 years and above and persons with reduced physical, sensory or mental capabilities or lack of experience and knowledge if they have been given supervision or instruction concerning use of the appliance in a safe way and understand the hazards involved. Children shall not play with the appliance. Cleaning and user maintenance shall not be made by children without supervision.



Do not cover the air inlet or outlet.

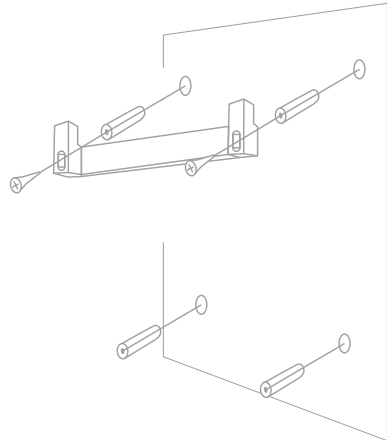
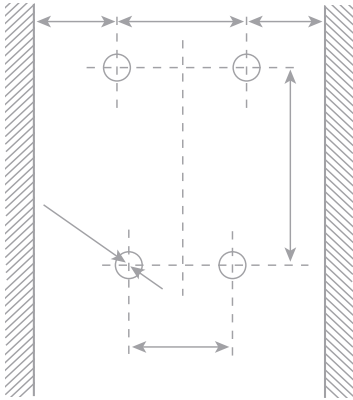
## 2. Installation

### Wall Mounting

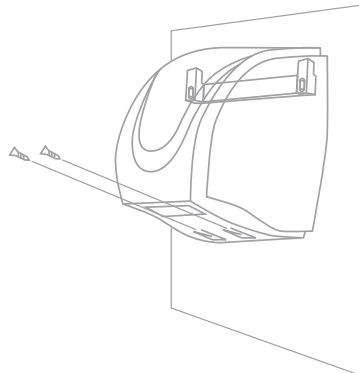
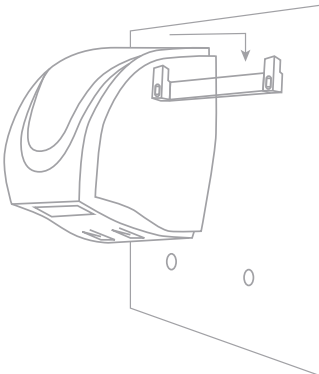


The hand dryer must be fixed out of reach of a person taking a bath or shower.

- Using the template provided (see fig1), drill 4 holes of 6mm diameter and 35mm deep.
- Fix the installation bracket to the two holes at the top using the fixings provided (see fig 2).



- Fix the hand dryer in place by hooking it into the bracket and securing it in place at the bottom using the fixings provided.



## Electrical



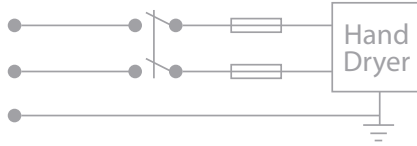
This appliance must be earthed.



Means for electrical disconnection must be incorporated in the fixed wiring in accordance with the wiring rules.

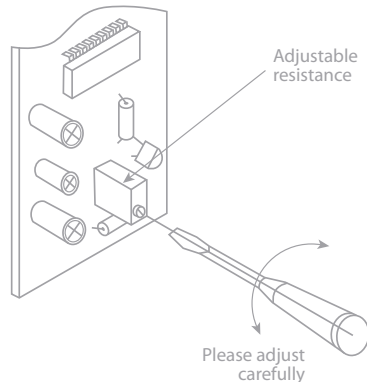
- The power cord should be connected following the colour coding below:

- Brown: L
- Blue: N
- Green / Yellow: E



## 3. Operation

- Shake excess water from hands.
- To activate the hand dryer, place your hands underneath the air outlet to operate the sensor.
- Rub hands together lightly and rapidly.
- The dryer will stop automatically 1 second after removing hands.
- The dryer will also automatically cut-out after 1 minute of consecutive use.
- To re-start the hand dryer, put hands back underneath and re-operate the sensor.
- The sensitivity of the sensor can be adjusted by removing the cover and accessing the Printed Circuit Board.

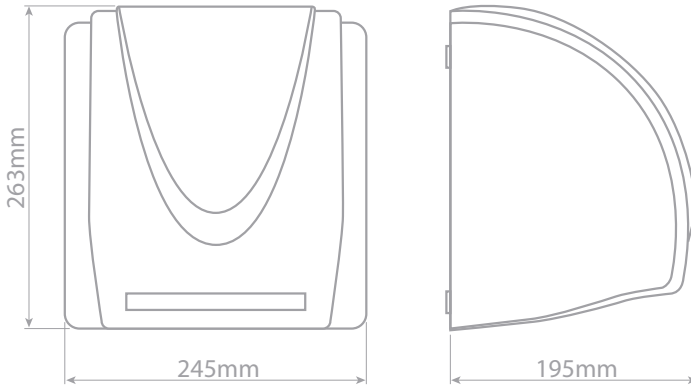


## 4. Maintenance

- Clean the exterior of the unit using a soft, damp cloth.

## 5. Specifications

<b>Voltage</b>	230v~50Hz
<b>Power</b>	1.8kW
<b>Air speed</b>	18m/s
<b>Air volume</b>	147m <sup>3</sup> /h
<b>Sound level</b>	78dB
<b>IP Rating</b>	IPX1
<b>Weight</b>	3.4kg



## **6. Guarantee and service policy**

This product is guaranteed against faulty materials and manufacture for a period of one year from the date of purchase. Hyco will in its sole discretion replace, repair or refund any faulty unit. Incorrect installation, frost damage and the consequences of limescale deposits are excluded. Consequential costs such as labour charges or damage to fittings and surroundings are expressly excluded.



INFORMATION FOR CORRECT DISPOSAL OF THE PRODUCT IN ACCORDANCE WITH THE EUROPEAN DIRECTIVE 2012/19/EU.

At the end of its working life this equipment must not be disposed of as household waste. It must be taken to a local authority waste collection centre or to a dealer providing this service. Disposing of electrical and electronic equipment separately enables its components to be recovered and recycled to obtain significant savings in energy and resources. In order to underline the duty to dispose of this equipment separately, the product is marked with a crossed out dustbin.

Hyco Manufacturing Ltd  
Normandy Court  
Express Way  
Castleford, WF10 5NR

T 01924 225 200  
F 01924 225 210  
E [sales@hyco.co.uk](mailto:sales@hyco.co.uk)

[hyco.co.uk](http://hyco.co.uk)