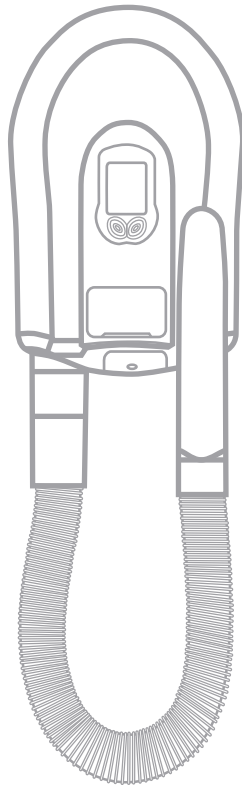




Product Instruction Manual



HD15015

1.5 kW automatic hair dryer

Thank you for purchasing the HD15015 digital hair dryer. The HD15015 is designed for hotels and similar light commercial applications. This hair dryer is not suitable for heavy usage applications such as public swimming baths and sports facilities. Please read and understand these instructions before commencing installation, and leave them with the user when installation is complete.

1. Important safety points

- The Electrical installation must be carried out by a qualified electrician in accordance with the current edition of the I.E.E. Wiring Regulations.
- Means for electrical disconnection must be incorporated in the fixed wiring in accordance with the wiring rules.
- Only connect the hair dryer to a single phase supply with a mains voltage as specified on the rating plate.
- The hair dryer must be fixed out of reach of a person taking a bath or a shower.
- This appliance can be used by children aged from 8 years and above and persons with reduced physical, sensory or mental capabilities or lack of experience and knowledge if they have been given supervision or instruction concerning use of the appliance in a safe way and understand the hazards involved. Children shall not play with the appliance. Cleaning and user maintenance shall not be made by children without supervision.
- This model is rated IP24. Site unit accordingly.

2. Installation

Wall Mounting



The hair dryer must be fixed out of reach of a person taking a bath or a shower.



This model is rated IP24. Site unit accordingly.

- Using the template provided, drill 2 holes of 6mm diameter at the marked locations.
- Fix the installation bracket to the top hole using the supplied screw and plug.
- Open the access plate located on the base of the unit beneath the shaver socket using a cross head screwdriver.
- Hook the top of the unit to the wall bracket and secure to the wall using the lower screw.

Electrical



Means for electrical disconnection must be incorporated in the fixed wiring in accordance with the wiring rules.

- This unit is double insulated, the power cord should be connected following the colour coding below:
 - > Brown: L
 - > Blue: N
- It is possible to connect a cable directly to the back of the unit so that there is no wiring visible to the user. There is a knockout disc next to the terminal block that is designed to give cable access for this purpose.

3. Operation

Remove the nozzle from the base unit to start operation.

The green LCD will immediately light up and the dryer will blow warm air at the default temperature setting of about 60°C.

To adjust the temperature press the “+” or “-” buttons on the front of the unit.

The current temperature is displayed, along with the remaining minutes before the unit automatically shuts down.



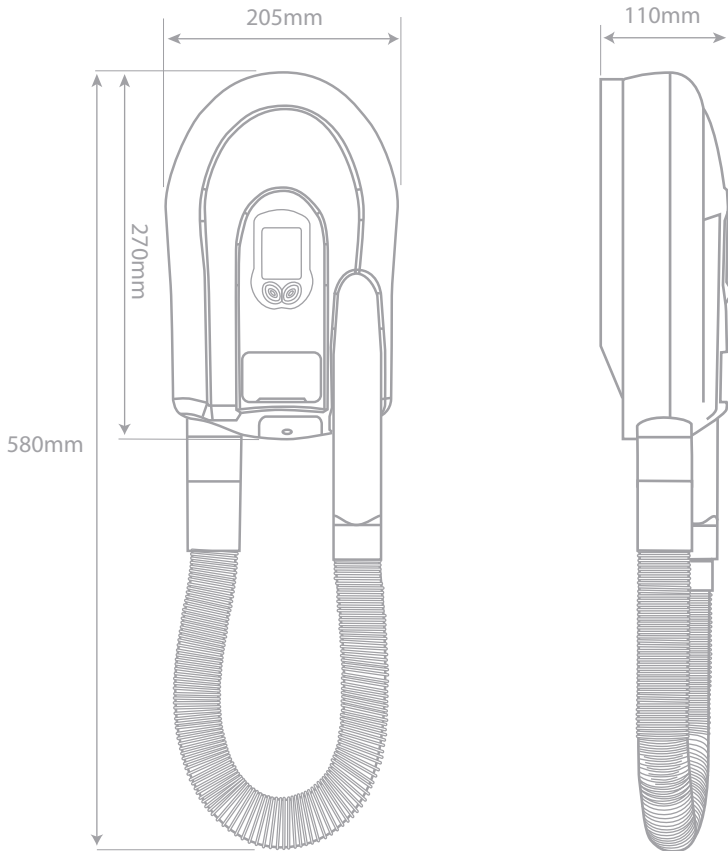
This unit will start and stop automatically when the nozzle is removed from the base and will automatically switch off after approximately 18 minutes of continuous use. To reset the timer replace the nozzle.

4. Maintenance

- Clean the exterior of the unit using a soft, damp cloth.

5. Specifications

Voltage	230v~50Hz
Power	1.5kW
IP Rating	IP24
Weight	2.3kg



6. Guarantee and service policy

This product is guaranteed against faulty materials and manufacture for a period of one year from the date of purchase. Hyco will in its sole discretion replace, repair or refund any faulty unit. Incorrect installation and failure to follow correct operating instructions are excluded. Consequential costs such as labour charges or damage to surroundings are expressly excluded.



INFORMATION FOR CORRECT DISPOSAL OF THE PRODUCT IN ACCORDANCE WITH THE EUROPEAN DIRECTIVE 2002/96/E.

At the end of its working life this equipment must not be disposed of as household waste. It must be taken to a local authority waste collection centre or to a dealer providing this service. Disposing of electrical and electronic equipment separately enables its components to be recovered and recycled to obtain significant savings in energy and resources. In order to underline the duty to dispose of this equipment separately, the product is marked with a crossed out dustbin.

Hycos Manufacturing Ltd
Normandy Court
Express Way
Castleford, WF10 5NR

T 01924 225 200
F 01924 225 210
E sales@hycos.co.uk

hycos.co.uk