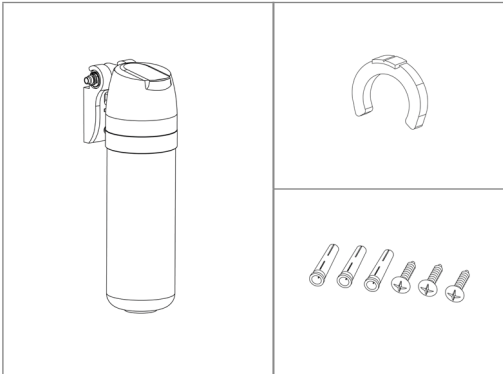




Product Installation Guide

Cold Drinking Water Filters


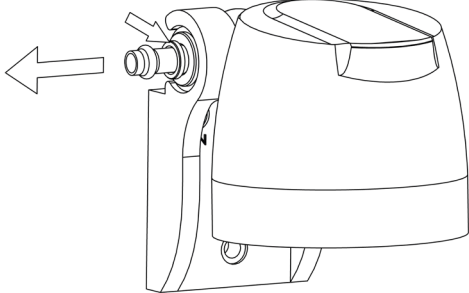
Contents

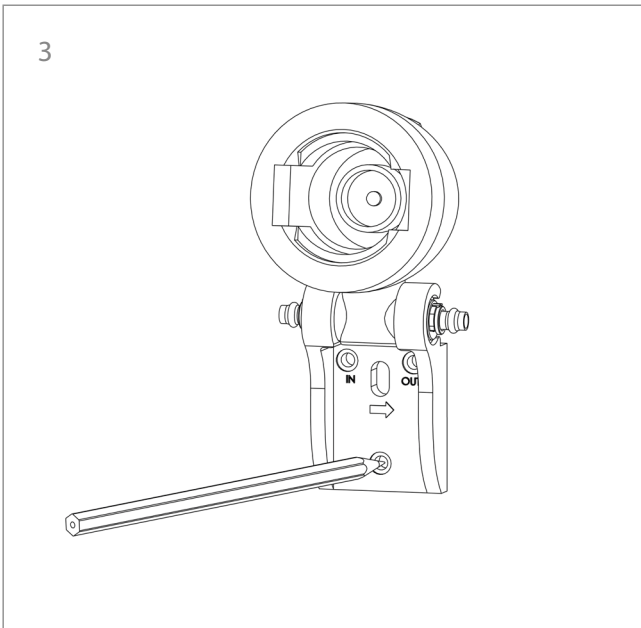


F1T Chlorine reduction in cold water systems

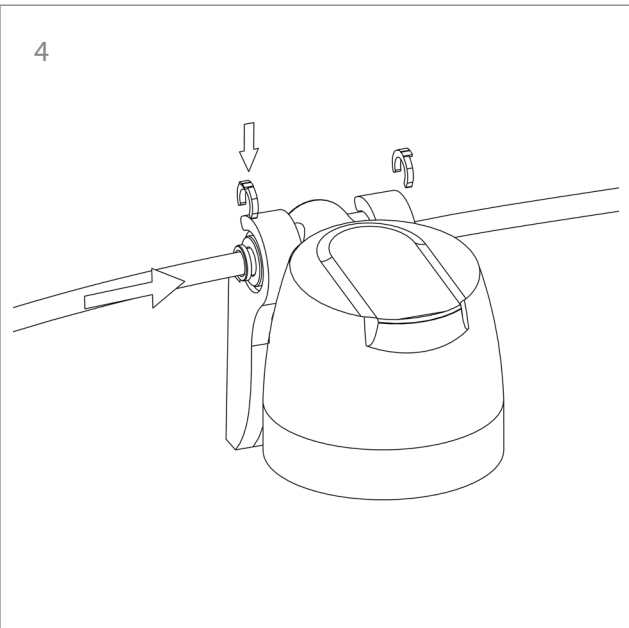
F2ST Chlorine reduction in cold water systems plus scale control (up to 300 ppm)

Installation Steps

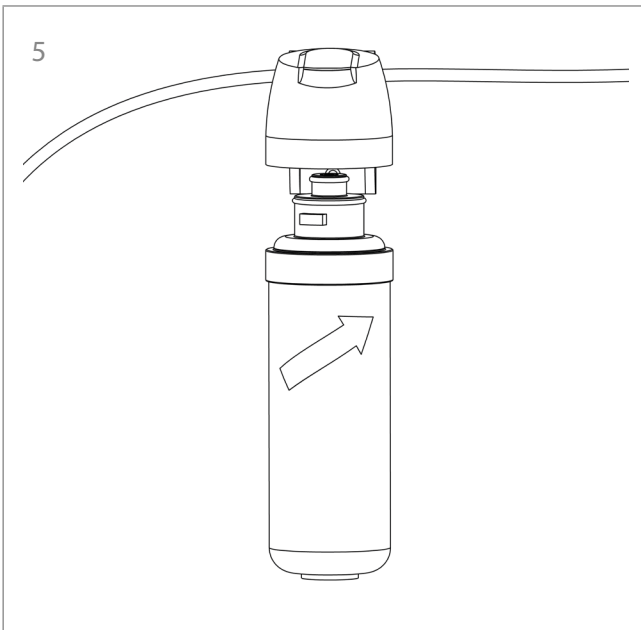
<p>1</p> 	<p>2</p> 
<p>Remove the filter cartridge from filter head section by twisting the cartridge clockwise and down.</p>	<p>Remove red stoppers from the 'In' and 'Out' ports of the filter head. Push the collar of each port in whilst at the same time pulling the red stopper out.</p>



Use the bracket to mark the fixing holes. Ensure there is sufficient space to accommodate the filter cartridge when replaced. Drill the holes and fix filter head in place.



Make connections using 1/4" tubing cut to length as required to the 'In' and 'Out' ports of the filter. Push tubing firmly into the ports in turn, ensure locking collars are used to prevent inadvertent disconnection.



Replace the filter cartridge by pushing up into the filter housing and turn anti-clockwise until the filter locks into the head securely.



Run water through the filter for several minutes or until the water runs clear to finish installation.

These filters are warranted for defects in material and workmanship only for a period of 6 months.

If you experience a problem with this product you should first contact our service department on 01924 225 200 before taking any further action. Experience has shown that issues can often be resolved without the need to return or uninstall the product.