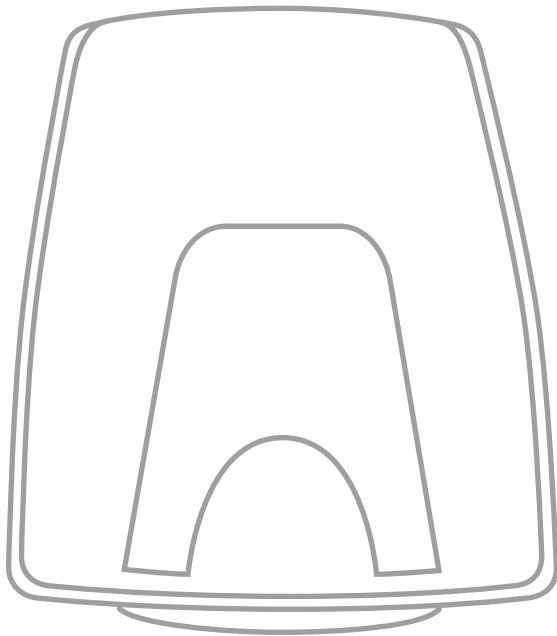




Product Instruction Manual

Contour



CTRW (White ABS)
1.5kW Automatic Hand Dryer

Thank you for purchasing a Hyco Contour hand dryer. Please ensure you read and understand these instructions to ensure safe installation and operation. The Contour is a traditional high powered hand dryer that is suitable for a variety of public washroom applications. The compact, stylish design and durable ABS case make this a versatile and reliable option.

Key features

- 1.5 kW
- Traditional automatic hand dryer
- Durable ABS cover

1. Important safety points



If the supply cord is damaged it must be replaced by the manufacturer, its service agent or similarly qualified person in order to avoid electrocution hazard.



Do not proceed with installation if there is any sign of damage to the product.



The product should only be connected to a supply that meets the specifications detailed on the rating label.



Electrical installation must be carried out by a qualified electrician in accordance with the latest edition of the IEE wiring regulations.



The appliance is not intended for use by persons (including young children) with reduced physical, sensory or mental capabilities, or lack of experience and knowledge, unless they have been given supervision or instruction concerning the safe use of the appliance by a person responsible for their safety.



Children should be supervised to ensure they do not play with the appliance.



The appliance is intended for drying hands only; it should not be used for any other purpose.

2. Installation

To avoid malfunction do not install the appliance in the following environments:



Temperatures below -10°C or above 40°C.



Places within reach of a person taking bath or shower.



Places in direct sunlight or strong light.



Within 40cm of any surface beneath the air outlet.

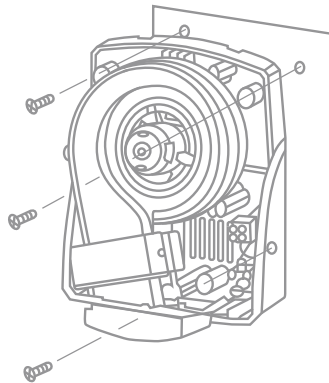
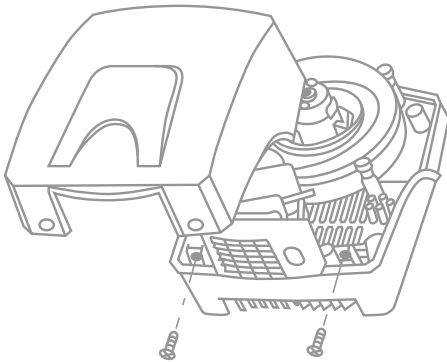
- When selecting a suitable location and surface for installation of the dryer, consider the following:
 - Water droplets will be blown from the hands and may land on surrounding surfaces.
 - Access for doors and people.
 - Height of dryer positioning based on likely users (see table).

User	Recommended mounting height (bottom edge of dryer above finished floor)
Mens	117cm
Women	112cm
Children 11-17 yrs	107cm
Children 3-10 yrs	91cm



Always ensure there is no concealed electrical wiring or pipework prior to drilling into the surface.


- Using the template or dimensions supplied and ensuring a horizontal level, mark out the three holes for mounting the dryer onto the desired surface. Maintain a clear space of at least 120mm from the sides of the dryer and 500mm below the outlet.
- Drill the 3 holes in each corner as shown and insert the wall plugs.
- Remove the dryer cover via the 2 x counter sunk screws, located at opposite sides of the cover (Allen key tool provided).
- Before mounting the dryer to the surface, make provisions for the wiring. For concealed wiring, use the knock out in the back plate. Do not leave rough or sharp edges as this could cause damage to the supply cable.
- Offer the dryer to the wall, insert the screws and tighten fully.
- Refit the dryer cover using the 2 x counter sink bolts.



3. Electrical connection



Always isolate the power supply before any electrical work is undertaken.

- Connection should be made to the fixed wiring of the property via a double pole switched fused spur.
- Electrical connections should be made as follows:
Green/Yellow earth wire to the terminal marked "E" or 
Brown/Red live wire to the terminal marked "L"
Blue/Black neutral wire to the terminal marked "N"

4. Operation

- Shake off excess water from hands.
- Place hands under the hand dryer to initiate air flow.
- Slowly move hands under the air flow.
- Turn over hands and repeat.
- Rub hands together until sufficiently dry.
- Remove hands and airflow will stop.

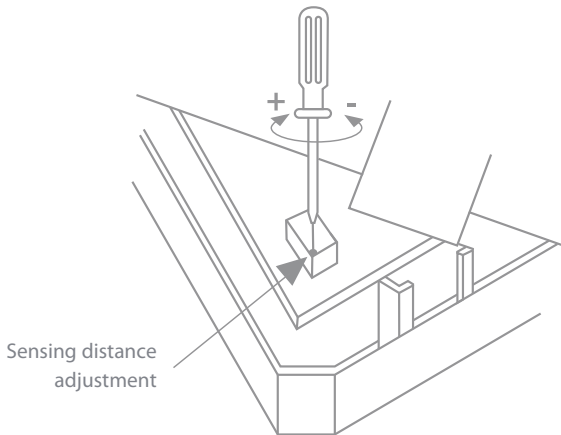
5. Maintenance



Always isolate the appliance from the power supply prior to any maintenance or adjustment.

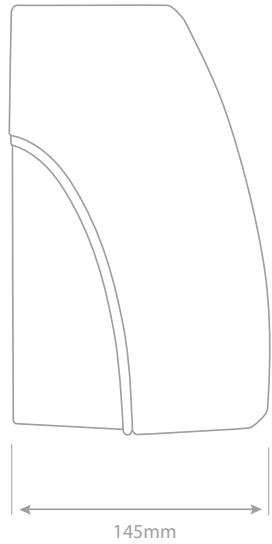
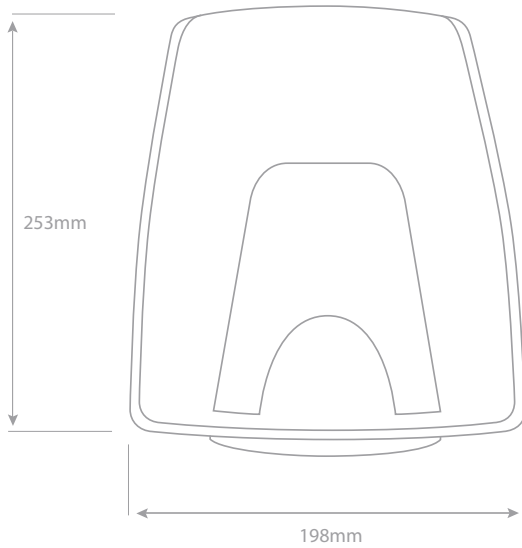
- Remove any dust or debris from the inlet holes.
- Wipe the exterior with a soft damp cloth.
- Do not use abrasive chemicals on the dryer.

It is possible to adjust the sensing distance of the hand dryer if required. First remove the cover and then locate the variable resistor (bottom left hand corner of the dryer). To adjust the sensor range, use a small flat head screwdriver and turn clockwise to increase or anti clockwise to reduce.



6. Specifications

	CTRW
Voltage/frequency	230V~/50Hz
Power	1500W
Ingress Protection	IP22
Finish	White ABS
Weight	1.7kg





INFORMATION FOR CORRECT DISPOSAL OF THE PRODUCT IN ACCORDANCE WITH THE EUROPEAN DIRECTIVE 2012/19/EU.

At the end of its working life this equipment must not be disposed of as household waste. It must be taken to a local authority waste collection centre or to a dealer providing this service. Disposing of electrical and electronic equipment separately enables its components to be recovered and recycled to obtain significant savings in energy and resources. In order to underline the duty to dispose of this equipment separately, the product is marked with a crossed-out dustbin.

7. Guarantee and service policy

This product is covered by a standard parts or replacement warranty for a period of three years from the date of purchase.

If there is a manufacturing defect within the warranty period we will send spare parts, repair and return the unit or, at our discretion, supply a replacement product.

Incorrect installation and failure to follow correct operating instructions are excluded. Consequential costs such as labour charges or damage to surroundings are expressly excluded.

Contact us

If you experience a problem with this product you should first contact our service department on 01924 225 200 before taking any further action. Experience has shown that issues can often be resolved without the need to return or uninstall the product.

Hyco Manufacturing Ltd
Normandy Court
Express Way
Castleford, WF10 5NR

T 01924 225 200
F 01924 225 210
E sales@hyco.co.uk

hyco.co.uk