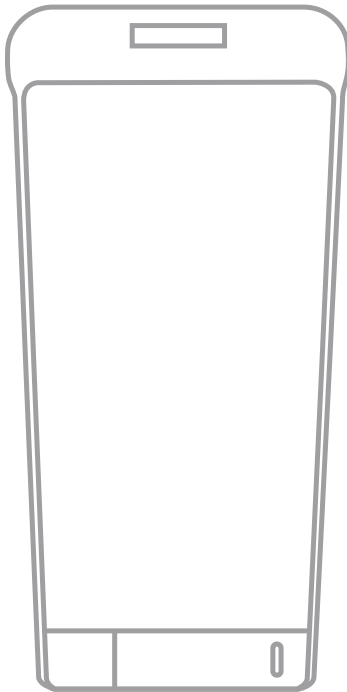




Product Instruction Manual

BLADE



BLADEW, BLADES

Hand Dryer

Thank you for purchasing a Hyco Blade hand dryer. Please ensure you read and understand these instructions to ensure safe installation and operation.

The Blade is a hands in, high speed, automatic hand dryer that is suitable for a variety of public washroom applications. The integral HEPA filter ensures hygienic operation whilst high performance quality gives fast dry times and low sound levels. The brushless motor and intelligent temperature control increase the reliability, longevity and efficiency of this hand dryer.

Key features

- 0.7 - 1.9 kW
- HEPA filter as standard
- UV sterilisation technology
- Intelligent temperature control
- Brushless motor
- White / silver finish available

1. Important safety points



Electrical installation must be carried out by a qualified electrician in accordance with the latest edition of the IEE wiring regulations.



If the supply cord is damaged it must be replaced by the manufacturer, its service agent or similarly qualified person in order to avoid electrocution hazard.



Do not proceed with installation if there is any sign of damage to the product.



The product should only be connected to a supply that meets the specifications detailed on the rating label.



The appliance is not intended for use by persons (including young children) with reduced physical, sensory or mental capabilities, or lack of experience and knowledge, unless they have been given supervision or instruction concerning the safe use of the appliance by a person responsible for their safety.



Children should be supervised to ensure they do not play with the appliance.



The appliance must be earthed.



The appliance is intended for drying hands only; it should not be used for any other purpose.

2. Installation

To avoid malfunction, do not install the appliance in the following environments:



Temperatures below -10°C or above 40°C .



Locations exposed to direct sunlight or strong light.

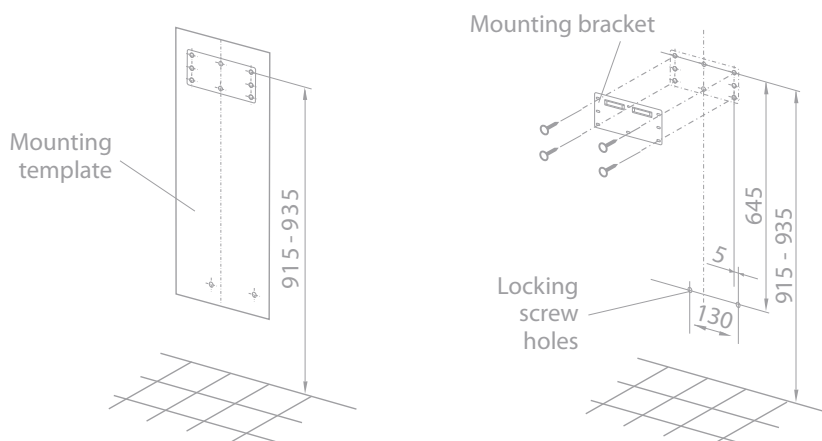
- Select a suitable position to mount the dryer.
- Decide the height of the mounting bracket install.
Recommended heights from the floor to the top of the mounting bracket are:
 - Women 915mm
 - Men 935mm



Always check for concealed wires and pipes before commencing drilling.

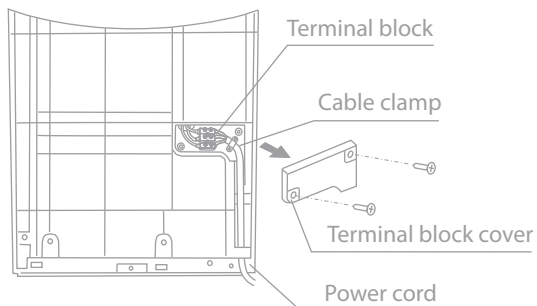
- Ensuring a horizontal level, mark and drill the four upper holes for the mounting bracket (see figure 1).
- Insert four wall plugs and secure the mounting bracket firmly with the supplied screws.
- Mark and drill the two lower locking screw holes and insert wall plugs.

figure 1



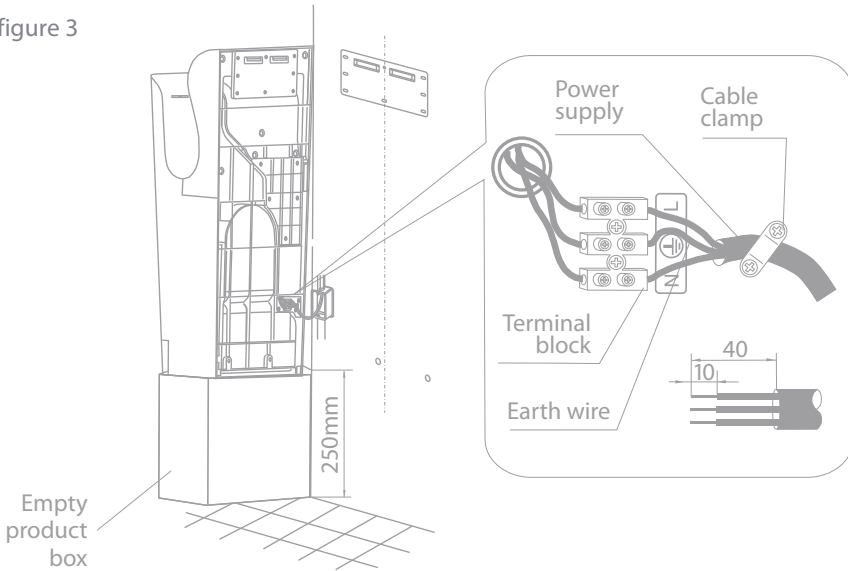
- Make provisions for the electrical wiring (if required) prior to hanging the appliance onto the mounting bracket.
- Make electrical connection as follows:
Green/Yellow earth wire to the terminal marked "E" or \oplus
Brown/Red live wire to the terminal marked "L"
Blue/Black neutral wire to the terminal marked "N"
- The dryer is supplied with a pre-wired power cable. To use an alternative supply cable, remove the terminal block cover and replace the existing cable (see figure 2).

figure 2



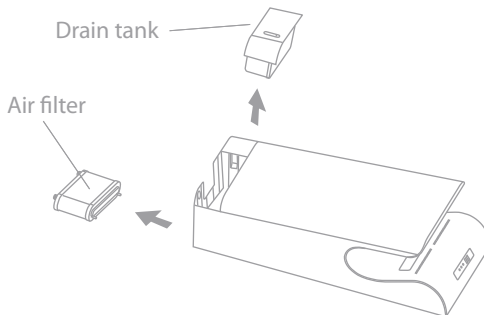
- When electrical connection is complete, ensure the power cable is held firmly by the cable clamp and refit the terminal block cover.

figure 3



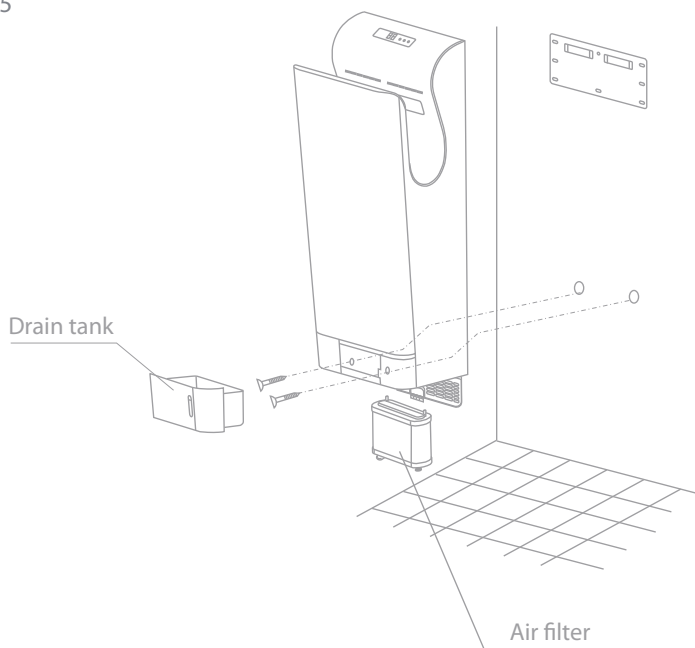
- Before mounting the dryer onto the mounting bracket, remove the air filter and drain tank (see figure 4)

figure 4



- Offer the dryer up to the mounting bracket and ensure it engages into the slots correctly.
- Secure the dryer in its final mounting position using the two locking screw holes located at the base of the appliance (see figure 5).
- Refit the air filter and drain tank.
- Make a final check that the unit is fully secured to the mounting surface upon completion.

figure 5

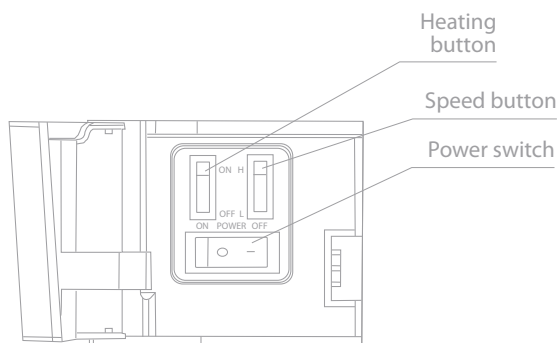


3. Operating the dryer

Settings selection

- The heater has two settings which should be decided on installation:
 - Hi or Low speed airflow
 - Heating element On/Off
- The switches are located behind a door at the lower left corner of the dryer. The drain tank must be removed to gain access.
- Selecting between low and high motor speed will affect both the drying time and noise level of the dryer:
 - Low = slower drying + reduced noise.
 - High = faster drying + increased noise.
- Selecting between element On/Off has the following affect:
 - On = Higher power consumption + warmer air flow.
 - Off = Lower power consumption + cooler airflow.

figure 6

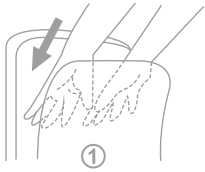


Hand dryer usage

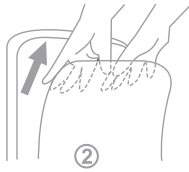


Shake of excess water from hands into the sink/basin prior to inserting them into the dryer.

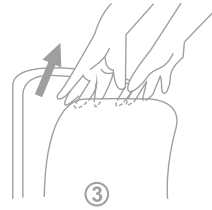
figure 7



Stretch out both hands and insert them all the way in.



Pull them back slowly.



Repeat as required until hands are dry.



The dryer will stop working after 25seconds of continuous operation. Remove hands fully to reset and re-insert to begin operating again.

4. Maintenance



Always isolate the power supply from the unit before commencing any maintenance task.



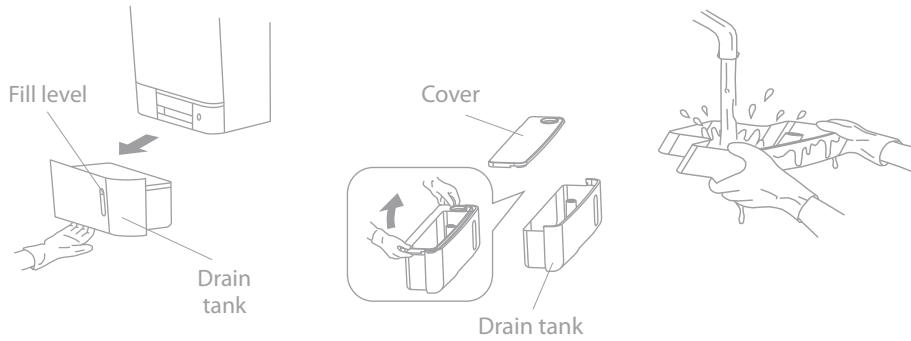
Do not use abrasive cleaning equipment, or solvent as this will scratch and damage the surface of the dryer.



Do not use excessive water to clean the appliance, a damp cloth should be sufficient.

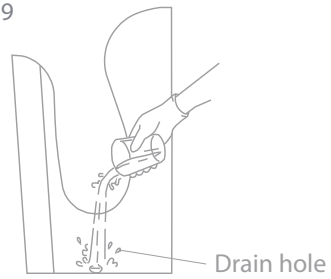
- Routinely check the level of the drain tank and empty as often as required.

figure 8



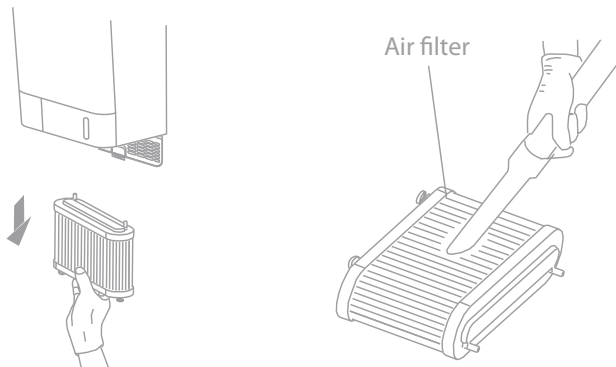
- To clean the drain hole, pour a small amount of water down it and clean with the pipe cleaner provided.

figure 9



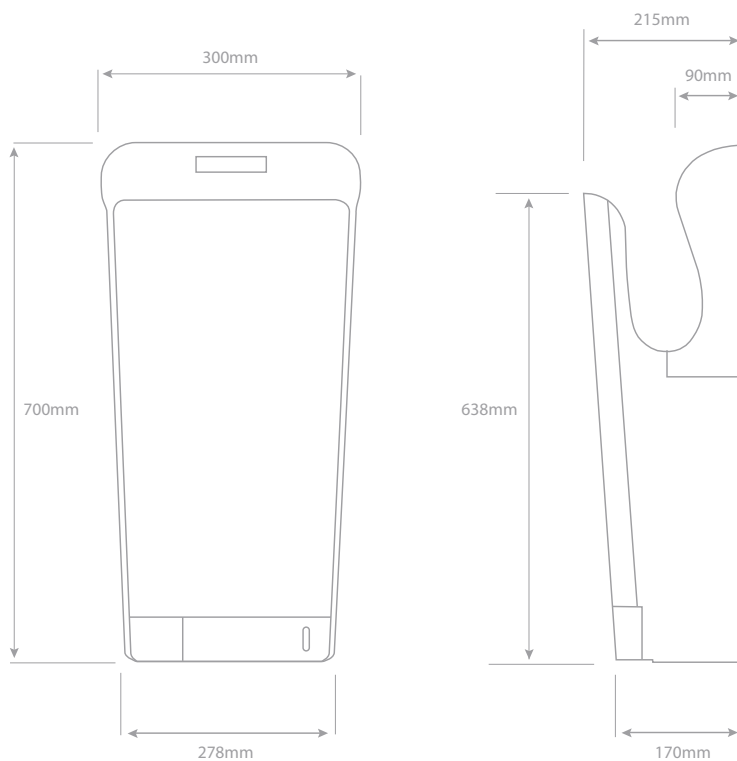
- Periodically remove and clean the filter. Remove dust and particles with a soft brush or vacuum cleaner. Wash with clean water and allow to dry before replacing.

figure 10



5. Specifications

	BLADEW	BLADES
Voltage	220-240V ac	220-240V ac
Power	1650-2050W	1650-2050W
Ingress rating	IP24	IP24
Finish	White	Silver
Weight	9.1kg	9.1kg



6. Guarantee and service policy

This product is covered by a standard parts or replacement warranty for a period of three years from the date of purchase.

If there is a manufacturing defect within the warranty period we will send spare parts, repair and return the unit or, at our discretion, supply a replacement product.

Incorrect installation and failure to follow correct operating instructions are excluded. Consequential costs such as labour charges or damage to surroundings are expressly excluded.

Contact us

If you experience a problem with this product you should first contact our service department on 01924 225 200 before taking any further action.

Experience has shown that issues can often be resolved without the need to return or uninstall the product.



INFORMATION FOR CORRECT DISPOSAL OF THE PRODUCT IN ACCORDANCE WITH THE EUROPEAN DIRECTIVE 2012/19/EU.

At the end of its working life this equipment must not be disposed of as household waste. It must be taken to a local authority waste collection centre or to a dealer providing this service. Disposing of electrical and electronic equipment separately enables its components to be recovered and recycled to obtain significant savings in energy and resources. In order to underline the duty to dispose of this equipment separately, the product is marked with a crossed out dustbin.

Hyco Manufacturing Ltd
Normandy Court
Express Way
Castleford, WF10 5NR

T 01924 225 200
F 01924 225 210
E sales@hyco.co.uk



hyco.co.uk