

Aria

Kitchen Mixer Tap



Usage

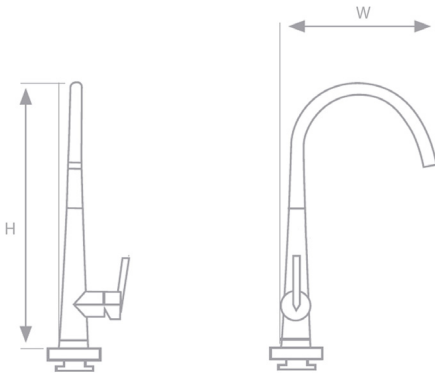
p.24

The Aria kitchen mixer tap (RH image above) is a tall, elegant, curved hot and cold mixer tap. It has been designed to compliment the Zen Solo (LH image above) or Zen Spa to create a stylish, co-ordinated modern kitchen for those users who wish to have separate taps for boiling water and general kitchen use.

Features and Benefits

- Tall elegant hot and cold kitchen mixer tap
- Single lever operation
- Polished chrome 360° swivel tap
- Integrated aerator helps reduce water usage
- Perfect to match the Zen Solo or Zen Spa when you wish to keep boiling water separate from your standard kitchen mixer tap
- Comes with hoses and fittings to connect to 15mm copper pipe
- Easy to install

Product Code	Best Suited To	360° Swivel	Reach (mm)
ARKM	Zen Solo Zen Spa	Yes	222



Outer Casing

Brass, polished chrome finish

Installation

Required hole diameter for mounting the tap 33 - 35mm.

Fits in a standard sink.

Sink/ counter top up to 40mm thick.

Plumbing

Must be installed by a suitably qualified person.

Intended for connection to the mains water supply.

Use the supplied fittings to connect the flexible hoses to the 15mm hot and cold copper water supplies.

Standard Warranty

1 year parts or replacement warranty.

Product Code	Height (mm)	Width (mm)	Depth (mm)	Weight (kg)
ARKM	432	257	50	1.4