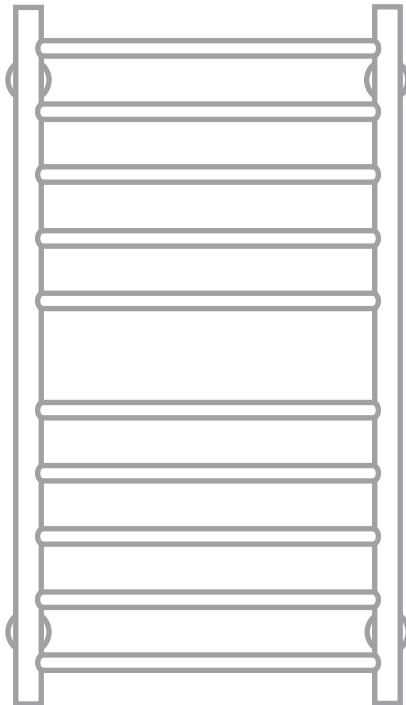


Product Instruction Manual

Aquilo



AQ40LC, AQ80LC, AQ90LC

Ladder style towel rail
Low surface temperature

Thank you for purchasing the Hyco Aquilo towel rail. The Aquilo has a stylish and modern curved ladder design and is suitable for use in bathrooms to provide dry, warm towels. Please read and understand these instructions before commencing installation, and leave them with the user when installation is complete.

1. Important safety points



The Electrical installation must be carried out by a qualified electrician in accordance with the current edition of the I.E.E. Wiring Regulations.



This appliance must be earthed.



Means for electrical disconnection must be incorporated in the fixed wiring in accordance with the wiring rules.



Only connect the unit to a single phase supply with a mains voltage as specified on the rating plate.



Do not carry the appliance by the supply cord.



The supply cord cannot be replaced by the user. If the cord is damaged the appliance should be returned to the manufacturer or an authorised service agent for replacement.



The appliance must not be located immediately below an electrical socket outlet.



This appliance can be used by children aged from 8 years and above and persons with reduced physical, sensory or mental capabilities or lack of experience and knowledge if they have been given supervision or instruction concerning use of the appliance in a safe way and understand the hazards involved. Children shall not play with the appliance. Cleaning and user maintenance shall not be made by children without supervision.



In order to avoid a hazard for very young children, this appliance should be installed so that the lowest heated rail is at least 600mm above the floor.



This appliance is intended only for drying textiles washed in water

2. Installation

Wall Mounting

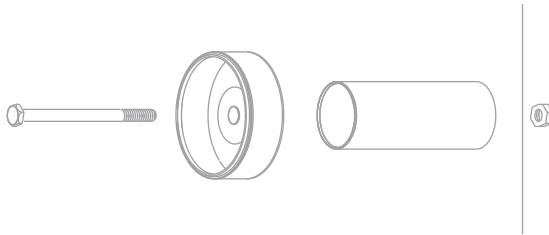


Ensure that the surface selected for mounting the appliance is suitable for the weight of the product.

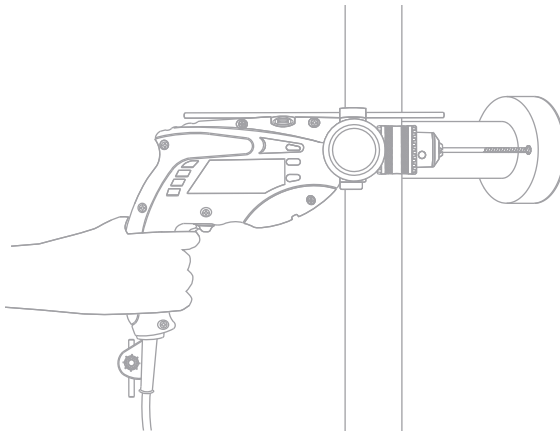


In order to avoid a hazard for very young children, this appliance should be installed so that the lowest heated rail is at least 600mm above the floor.

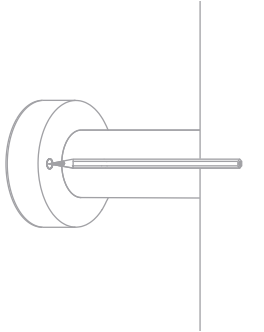
- Select a suitable location for the towel rail.
- Assemble the wall brackets to the back of the towel rail. Ensure the bolt is tightened sufficiently so that the circular plate is firmly held and cannot rotate.



- Hold the towel rail against the intended mounting surface and decide upon the final installation position.
- Drill a single hole for the upper right bracket, insert a wall plug and loosely attach the rail to the wall.



- Mark and drill a single hole again for the upper left bracket. Insert a wall plug and loosely fix to the wall.
- Mark the remaining six holes before removing the unit and drilling. Insert wall plugs in all holes before replacing the rail and finally screwing securely all fixing points.



Electrical



This appliance must be earthed.



Means for electrical disconnection must be incorporated in the fixed wiring in accordance with the wiring rules.

- The power cord should be connected following the colour coding below:
 - Brown: L
 - Blue: N
 - Green / Yellow: E

3. Operation



This appliance is intended only for drying textiles washed in water.

4. Maintenance



Always isolate the appliance from the power supply before commencing any maintenance.

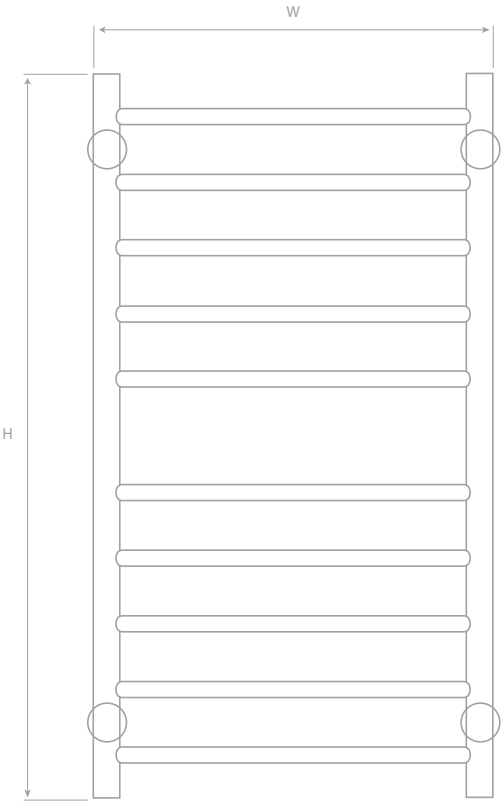


Never use abrasive chemicals or materials to clean the hand dryer.

- Clean the exterior of the unit using a soft, damp cloth.

5. Specifications

	AQ40LC	AQ80LC	AQ90LC
Voltage	230v~50Hz		
Power	40W	80W	90W
Weight	2.7Kg	2.9Kg	4.2Kg
IP Rating	IP44		
Dimensions	720 x 400 x 110mm	860 x 530 x 110mm	1020 x 600 x 110mm



6. Guarantee and service policy

This product is guaranteed against faulty materials and manufacture for a period of one year from the date of purchase. Hyco will in its sole discretion replace, repair or refund any faulty unit. Incorrect installation and failure to follow correct operating instructions are excluded. Consequential costs such as labour charges or damage to surroundings are expressly excluded.



INFORMATION FOR CORRECT DISPOSAL OF THE PRODUCT IN ACCORDANCE WITH THE EUROPEAN DIRECTIVE 2012/19/EU.

At the end of its working life this equipment must not be disposed of as household waste. It must be taken to a local authority waste collection centre or to a dealer providing this service. Disposing of electrical and electronic equipment separately enables its components to be recovered and recycled to obtain significant savings in energy and resources. In order to underline the duty to dispose of this equipment separately, the product is marked with a crossed out dustbin.

Hyco Manufacturing Ltd
Normandy Court
Express Way
Castleford, WF10 5NR

T 01924 225 200
F 01924 225 210
E sales@hyco.co.uk

hyco.co.uk