

HYCO
Manufacturing Ltd

Tubular Heater

Models TH01, TH02, TH03, TH04

Instruction Manual

Version 1.0 November 2009

HYCOTUBULAR HEATER

MODELS TH01, TH02, TH03, TH04

1. INTRODUCTION

Thank you for purchasing from the Hyco range of tubular heaters. Tubular heaters provide a gentle, background heat and frost protection for a wide range of applications such as conservatories, workshops, airing cupboards and caravans.

Please read and understand these instructions before commencing installation, and leave them with the user when installation is complete.

2. SAFETY



THE ELECTRICAL INSTALLATION MUST BE CARRIED OUT BY A QUALIFIED ELECTRICIAN IN ACCORDANCE WITH THE CURRENT EDITION OF THE I.EE WIRING REGULATIONS.



SWITCH OFF THE MAINS BEFORE COMMENCING INSTALLATION.



ONLY CONNECT THE HEATER TO A SINGLE PHASE SUPPLY WITH A MAINS VOLTAGE AS SPECIFIED ON THE RATING PLATE. THE UNIT IS SUPPLIED WITH A 13A BS1363 PLUG.



TAKE CARE IF USING THIS HEATER WITH A TIMER OR ANY OTHER DEVICE THAT SWITCHES THE HEATER ON AUTOMATICALLY, SINCE A FIRE RISK EXISTS IF THE HEATER IS COVERED OR POSITIONED INCORRECTLY.



THE HEATER MUST NOT BE LOCATED IMMEDIATELY BELOW A SOCKET OUTLET.



IF THE CORD OF THIS APPLIANCE IS DAMAGED, DISCONTINUE USE OF THIS PRODUCT AND CONTACT THE MANUFACTURER FOR FURTHER INSTRUCTIONS.



DO NOT CARRY THE APPLIANCE BY HOLDING THE POWER CORD.



ALWAYS SWITCH OFF THE APPLIANCE WHEN NOT IN USE.



DO NOT LET THE POWER CORD HANG OVER THE APPLIANCE.



DO NOT LEAVE ANIMALS OR CHILDREN UNSUPERVISED IN THE VICINITY OF THE HEATER UNLESS A SUITABLE GUARD IS FITTED AS THE SURFACE OF THE HEATER MAY GET HOT DURING OPERATION.



THE MOUNTING POSITION OF THE HEATER SHOULD ALLOW FREE MOVEMENT OF AIR AROUND THE HEATER. DO NOT COVER THE HEATER AS THIS MAY CAUSE OVERHEATING.

2. SAFETY (continued)



ENSURE THAT THE HEATER DOES NOT COME INTO CONTACT WITH ANY FABRIC OR OTHER COMBUSTIBLE MATERIALS.



THE HEATER MUST BE INSTALLED SO THAT SWITCHES AND OTHER CONTROLS CANNOT BE TOUCHED BY A PERSON IN THE BATH OR SHOWER.



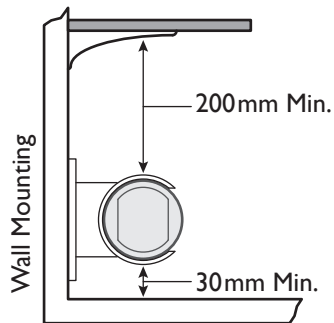
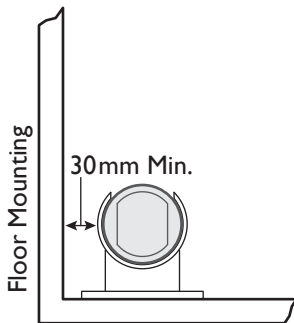
MINIMUM MOUNTING DISTANCES AS SHOWN IN THESE INSTRUCTIONS MUST BE ADHERED TO.

3. MOUNTING

- The tubular heater must be floor or wall mounted in the horizontal position using the brackets provided. Ensure the fixings used are suitable for your chosen mounting surface.
- Any shelving placed above the heater must be at a minimum distance of 200mm.
- Find a suitable location adjacent to a suitable wall socket outlet using the mounting diagram as a guide.
- The mounting bracket should be mounted according to the heater length at a distance to adequately support the heater.
- Screw the two bottom halves of the brackets to the wall at the required distance, place the heater on the brackets and then fasten the top half of the brackets over the tube.



DO NOT SWITCH POWER ON TO THE HEATER UNTIL IT IS SECURELY MOUNTED.



4. ELECTRICAL INSTALLATION



THE INSTALLATION, ELECTRICAL CONNECTION AND FIRST OPERATION OF THIS APPLIANCE SHOULD BE CARRIED OUT BY A QUALIFIED INSTALLER.

- Only connect the heater to a single phase supply with a mains voltage as specified on the rating plate. The unit is supplied with a 13A BS1363 plug.
- In the event that you need to replace the plug, note that the wires in the mains lead are coloured in accordance with the following code:

GREEN/YELLOW: EARTH

BLUE: NEUTRAL

BROWN: LIVE

4. ELECTRICAL INSTALLATION (continued)

- If you require the heater to be connected to the fixed wiring of the property then the installation must be fitted with a double pole isolating switch with a break contact distance of at least 3mm.

Thermal cut-out

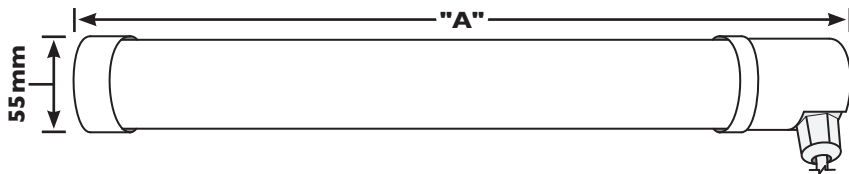
This appliance is fitted with a thermal cut-out. In the event of the product overheating, it will operate and cut power to the heater. Once the heater has cooled down the cut-out will reset automatically. It will then cycle on and off until the reason for overheating has been removed.

5. CLEANING AND MAINTENANCE

- Before cleaning, ensure the heater is unplugged and that it has cooled completely.
- Wipe the exterior of the heater with a soft dry cloth.
- Never use any chemical or abrasive cleaners.

6. SPECIFICATIONS

	TH01	TH02	TH03	TH04
SUPPLY	230V ~ 50Hz			
IP RATING	IP55			
LENGTH (see "A" below)	305mm	609mm	916mm	1222mm
POWER	45W	80W	135W	180W



7. GUARANTEE AND SERVICE POLICY

This product is guaranteed against faulty materials and manufacture for a period of one year from the date of purchase. Hyco will in its sole discretion replace, repair or refund any faulty unit. Incorrect installation and failure to follow correct operating instructions are excluded. Consequential costs such as labour charges or damage to surroundings are expressly excluded.

H Y C O
Manufacturing Ltd

Hyco Manufacturing Ltd
California Drive
Whitwood
Castleford
West Yorkshire
WF10 5QH

Tel: 01977 517555 Fax: 01977 517666

Web: www.hyco.co.uk

E-mail: sales@hyco.co.uk