

HYCO
Manufacturing Ltd

SUN PRINCE QUARTZ HEATER

SP1000E, SP1500E, SP2000E, SP3000E, SP4000E, SP4500E, SP6000E

Instruction Manual

Version 2.0 Nov 2009

HYCO
Manufacturing Ltd

Hycos Manufacturing Ltd
California Drive, Whitwood
Castleford
West Yorkshire
WF10 5QH

Tel: 01977 517555 Fax: 01977 517666
Web: www.hycos.co.uk
E-mail: sales@hycos.co.uk

HYCO SUN PRINCE QUARTZ HEATER

SP1000E, SP1500E, SP2000E, SP3000E, SP4000E, SP4500E, SP6000E

Thank you for purchasing the Hyco Sun Prince Quartz Heater. This heater uses radiant heat to warm objects and people directly, making it ideal for draughty, hard - to heat situations such as workshops, warehouses. An RCD circuit breaker is strongly recommended. Please read and understand these instructions before commencing installation, and leave them with the user when installation is complete.

1. SAFETY

The installation must be carried out by a competent person in accordance with current Building Regulations. The Electrical Installation must be carried out by a qualified electrician in accordance with the current edition of the I.E.E. Wiring Regulations.

- Only connect the heater to a single phase supply with a mains voltage as specified on the rating plate.
- The heater must be positioned at a minimum height of 2m and at a distance of at least 1m from the nearest object that would be exposed to heat radiation..
- The heater is not suitable for mounting on highly flammable surfaces.
- The heater must be mounted onto a solid surface.
- If the cord of this appliance (not supplied) is damaged, discontinue use of this product and arrange for a competent person to replace it.
- Do not let animals or children touch or play with the heater. Please note that the heater gets very hot during operation.
- Do not cover the heater as this may cause overheating.
- Take particular care with moveable items such as curtains.
- Do not use the heater without the safety guard fitted or if the safety guard is damaged.
- The Sun Prince heaters are not suitable for outdoor use or in damp conditions. Avoid contact with water.

2. INSTALLATION

When choosing the location for mounting the Sun Prince, ensure that you have followed the safety instructions and recommendations.

- The bracket is supplied in two parts: Part A mounts to the wall using the wall plugs and screws provided and Part B holds the heater and joins to Part A (see Fig 1 below).
- Part A of the bracket should be mounted (ideally with the aid of a spirit level) to the chosen surface using the wall plugs and screws provided.
- Part B of the bracket should then be fixed to Part A by lining up the holes and securing using the bolt and lock nut provided.
- The heater is then positioned so that the centre hole on the side panel lines up with the slot on the bracket and secured into place using the black knobs provided.
- See diagrams on opposite for guide to mounting the various models.
- The unit must be mounted in the horizontal position to avoid premature failure of the lamp.
- The heater should be mounted following the minimum clearance distances and angle as shown in the mounting guide diagram below.
- The units can be ceiling mounted but the angle of 45° to the horizontal must be maintained.
- The supplied bracket is designed to ensure the correct mounting angle is maintained. Do not attempt to modify the bracket in any way as incorrect mounting may cause the unit to overheat.

Fig 1

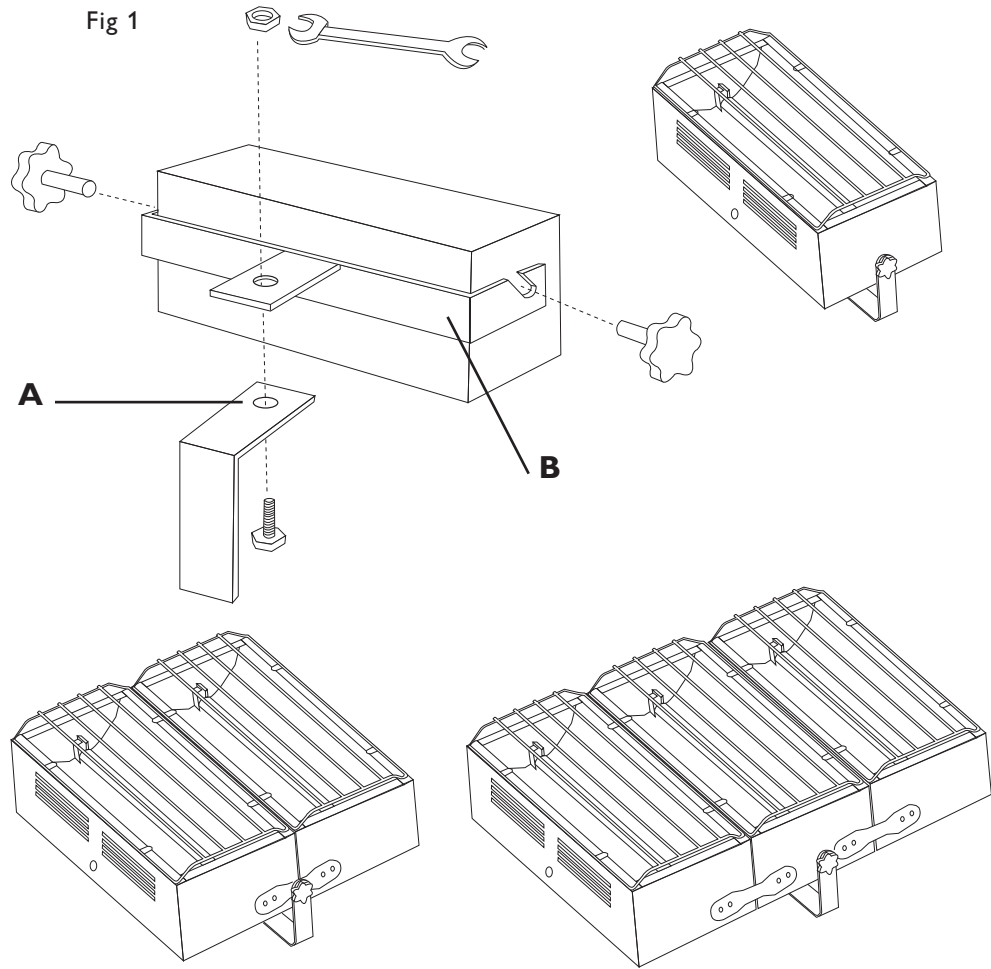
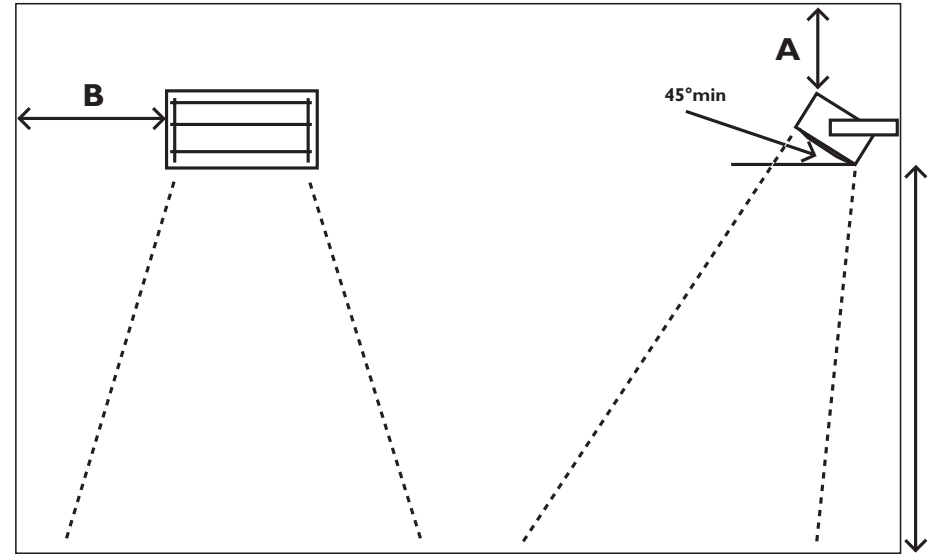


Fig 2



Minimum Distance (mm)

MODEL	A	B	C
SP1000E	300	300	2000
SP1500E	300	300	2000
SP2000E	300	300	2000
SP3000E	500	500	2000
SP4000E	500	500	2000
SP4500E	500	500	2000
SP6000E	500	500	2000

3. ELECTRICAL INSTALLATION

- The electrical connection should be made to the fixed wiring of the property using appropriately rated cable and a double pole isolator switch should be used. Electrical Installation should be carried out by a competent person according to the current edition of the I.E.E. Wiring Regulations.
- Please note that an inrush current of several times the steady state current will flow for a few hundredths of a seconds after first switching on. PIR devices or other controllers may be used to control this unit provided all devices are rated to the appropriate electrical loading with due allowance for in-rush current.
- This unit **MUST** be earthed and wired with **heat resistant cable (min 100°C)**.
- When fitting/replacing the quartz lamp: **Do not touch the lamp with bare hands. Use a soft cloth/tissue to hold the lamp.**
- Remove the back plate to gain access to the terminal block.
- Take the front guard off by removing the four screws holding the tabs in place. Thread the lamp wires through the holes at either side of the lamp holders and pull through from the back.
- Locate either side of the lamp into the holders and ensure it is held securely.
- Connect the lamp wires to the spade connectors on the Live and Neutral terminals.
- Secure the back plate.
- Replace the guard.

CAUTION!

Do not attempt to adjust or touch the heater until it has cooled down and the power is disconnected.

4. CLEANING AND MAINTENANCE

- Before cleaning, ensure the heater is disconnected from the power and that it has cooled completely.
- Wipe the exterior of the heater with a damp cloth.
- Do not use abrasives or chemical cleaners to clean the heater.
- If the interior requires cleaning, use a soft, dry cloth taking care not to touch the quartz lamp with bare hands.

5. SPECIFICATIONS

MODEL	POWER	SPARE LAMP
SP1000E	1kW	L1000V
SP1500E	1.5kW	L1500V
SP2000E	2kW	L2000V
SP3000E	3kW	2xL1500V
SP4000E	4kW	2xL2000V
SP4500E	4.5kW	3xL1500V
SP6000E	6kW	3xL2000V

Power Supply: 230V ac

Frequency: 50 Hz

6. GUARANTEE AND SERVICE POLICY

The Hyco Sun Prince Quartz Heater is supplied with a standard 12 month replacement warranty (excluding Lamps) that protects against any manufacturing defects for up to 1 year of the original purchase date. In the event of a product failure please contact Hyco on 01977 517555. Incidental or consequential damages are excluded from this warranty.